



## APRILEDP/G/BLK

Prism Pro LED Fire Rated CCT Gimbal 7W Black



## Features

220-240V LED 4 CCT selectable fire rated gimbal

30° tilt angle

Remote driver with 2x1.5mm<sup>2</sup> + CPC push-fit loop-in, loop-out terminals provide an easy and efficient installation

Detachable LED driver for fast fix install

Low profile design and remote driver allow installation into shallow ceiling voids

Fully tested for 30, 60 and 90 minute ceiling types to meet Part B of building regulations

Fully tested to meet Part E (acoustic) of building regulations

Wide 60° beam angle for increased light distribution

LED lifespan L70 60,000 hours

## General Information

Lamp Type	LED
Colour / Finish	Black
Fire Rated	Yes
IP Rating	IP20
Class Protection	1
Internal / External	Internal
Surface / Recessed / Suspended	Recessed
Warranty (Years)	5
CE Mark	Yes
Diameter (mm)	86
Height (mm)	58

## Technical Information

Wattage	7W
Lumens Delivered	584lm(2700K) 623lm(3000K) 675lm(4000K) 659lm(6000K)
Lm/W	83lm(2700K) 89lm(3000K) 96lm(4000K) 94lm(6000K)
Beam Angle	60
CRI	Ra 80
CCT	2700K/3000K/4000K/6000K
Input	230V
Hertz	50/60Hz
Operating Temp	-5°C to 25°C

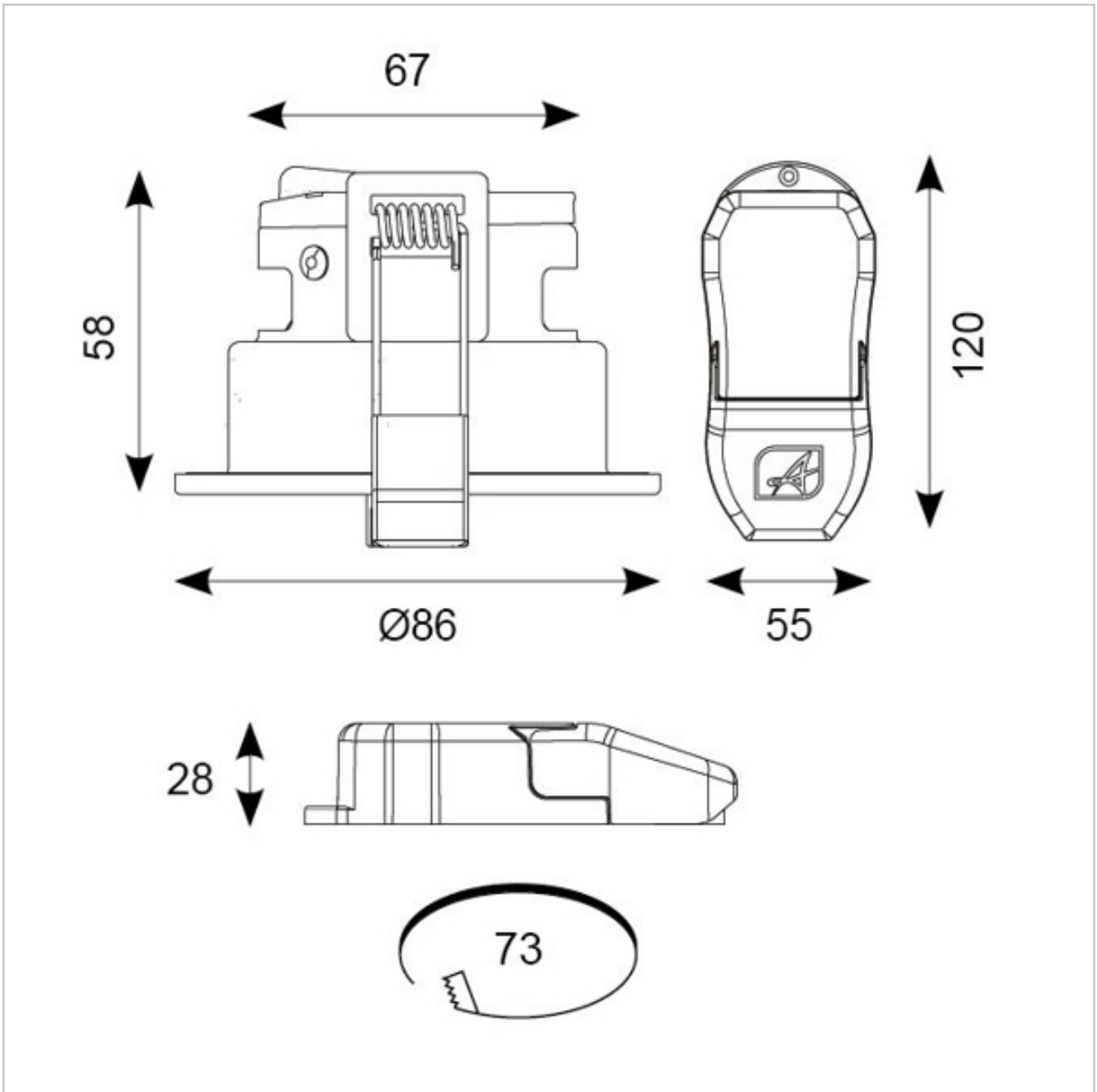
## Technical Data - ETIM - Downlight/spot/floodlight (EC001744)

Suitable for surface mounting	No
Suitable for built-in mounting	Yes
Suitable for wall mounting	No
Suitable for suspended mounting	No
Suitable for ceiling mounting	Yes
Suitable for traverse mounting	No
Suitable for pedestal/floor mounting	No
Suitable for light-track mounting	No
Adjustability	Swivelling
With movement sensor	No
With light sensor	No
With light source	Yes
Suitable for number of lamps	1
Colour housing	Black
Nominal voltage	230-230 V
Control gear included	Yes
Beam angle	Wide beam 41-80°
Degree of protection (IP)	IP20
Protection class	I
Max. system power	7 W
Colour of light	White
Colour temperature	2700-6000 K
Colour rendering index CRI	80-89
Luminous flux	584-659 lm
Lamp efficacy	96 lm/W

Height/depth 58 mm

Length 67 mm

Outer diameter 86 mm



Datasheet generated from <https://onetimepim.com> last updated Monday, November 4, 2019 1:57:34 PM